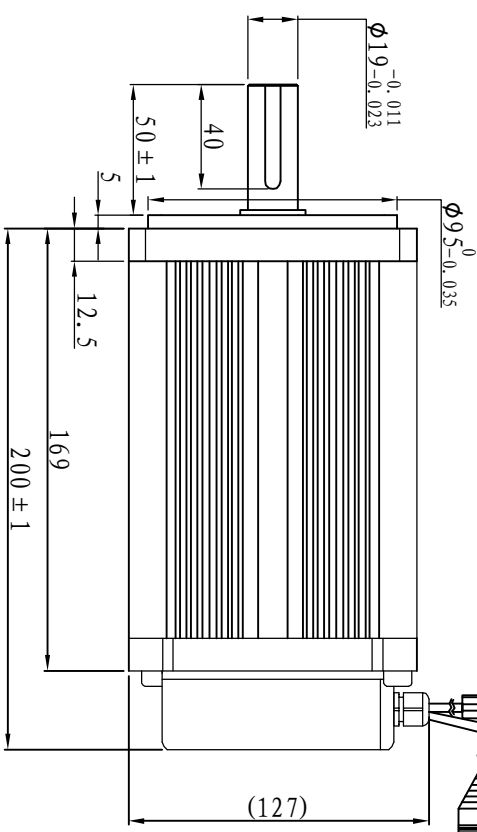
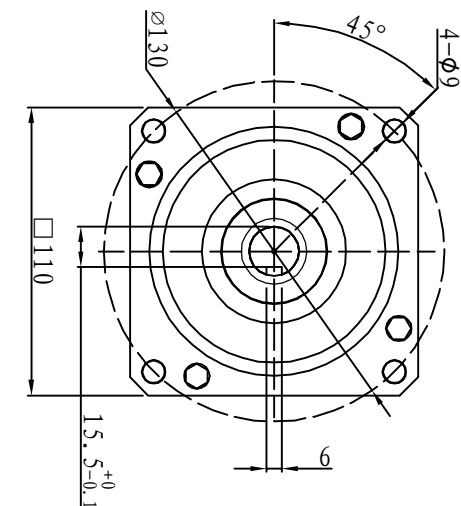
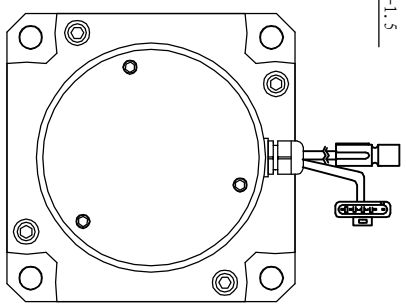


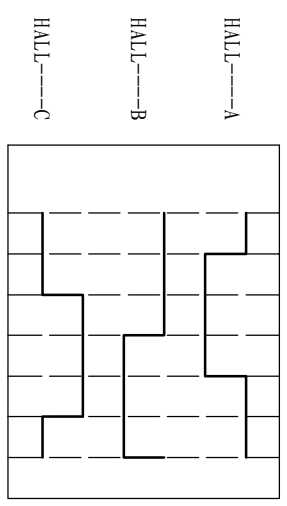
Dimension



Motor power line: a length of 500 mm
 Plug-in models: SP75-8 #
 Hall signal lines: a length of 500 mm
 Plug-in type: D17061-1.5



Motor to Hall Relationship



Line Define

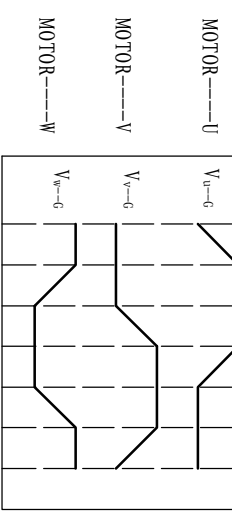
Power Wire	Motor U	Motor V	Motor W
Red	Motor U		
Yellow		Motor V	
Blue			Motor W

Feedback Wire

Hall line colour	Hall signal definition	Plug serial number
Orange and black	5V	1
Orange	0V	2
Yellow	Hall A	4
Blue	Hall B	5
Green	Hall C	6

Technical Data

Type	110WD-M06010-24V
Power (KW)	0.6
Rated voltage (V)	24
Rated current (A)	32.7
Rated speed (rpm)	1000
Rated torque (NM)	6
Rotor inertia (Kgom2)	10
Protection rank	IP65
Insulation rank	F
Appropriate environment	Temperature: 0 ~ 50°C Humidity: < 90% (No dewdrop)
Motor weight (KG)	6.6



PHASE TO GROUND VOLTAGE
 ROTATION CW FROM THE FLANGE

设计	比例	图号	材料	名称
日期	重量			规格书
审核	配合			110WD-M06010-24V
日期	图号			Jiangsu wheatstone mechanical and electrical technology co., LTD